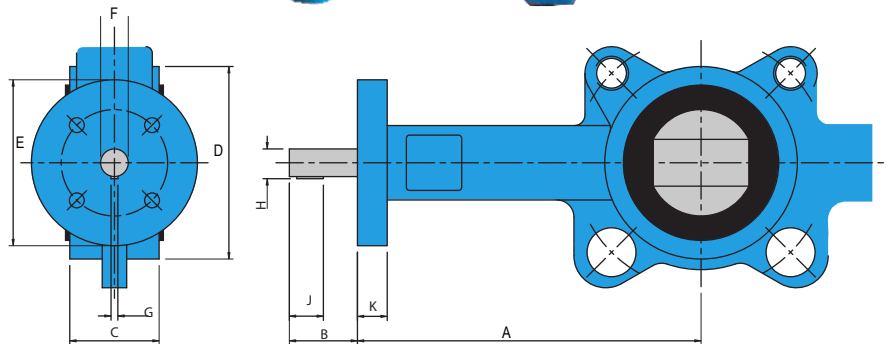




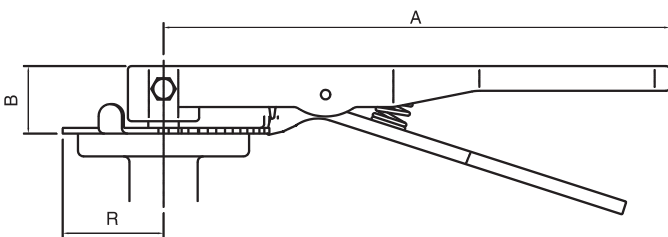
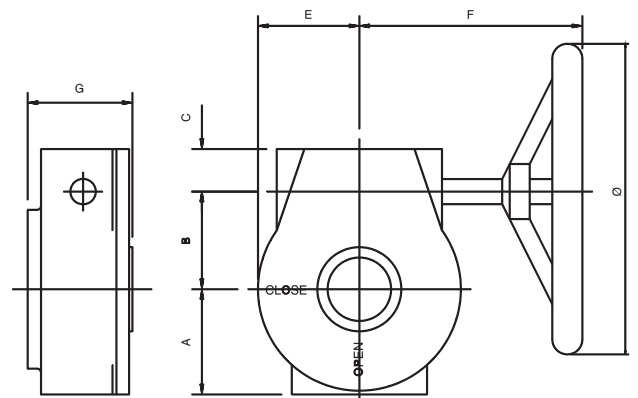
Maximum pressure 16 bar

MATERIALS

Part	Material
Body	Cast Iron (wafer), ductile iron (lugged)
Disk	Stainless Steel
Seat	EPDM / NBR
Shaft & Pins	Stainless Steel
Shaft Bearings	Lubricated Bronze
Shaft Seals	EPDM



DN mm	ISO 5211	'A'	'B'	'C'	'D'	'E'	'F'	'G'	'H'	'J'	'K'	WT kg	
												WAF	LUG
50	F05	161	32	42	100	77	12.6	3	13.8	11.5	13	2.5	4.3
65	F05	175	32	44.7	120	77	12.6	3	13.8	11.5	13	3.2	4.7
80	F05	181	32	45.2	127	77	12.6	3	13.8	11.5	13	3.6	4.9
100	F07	200	32	52.1	156	92	15.7	5	17.77	12.9	13	4.9	9.1
125	F07	213	32	54	190	92	18.9	5	20.92	15.9	13	7	12.1
150	F07	226	32	55.8	212	92	18.9	5	20.92	15.9	13	7.8	13.2
200	F10	260	45	60.6	268	115	22.1	5	24.1	15.9	13	13.2	19.5
250	F10	292	45	65.3	325	115	28.4	8	31.45	22.2	13	19	29.5
300	F12	337	45	75.9	403	140	31.6	8	34.6	22.2	19	32.5	49



LEVERS

Valve Size mm	A mm	B mm	R mm
50 ~ 80	237	45	47
100 ~ 150	267	45	51
200 ~ 250	353	45	76

GEAR OPERATORS

Model	Valve Size mm	A mm	B mm	C mm	E mm	F mm	G mm	Ø mm
3D-15	50 ~ 150	64	48	31	59	150	73	150
3D-50	200 ~ 250	80	70	39	78	200	89	250
3D-120	300	98	95	44	98	250	98	300

Essco Controls Ltd

Unit 11, Solent Ind. Estate, Shamblehurst Lane South

Hedge End, Southampton, SO30 2FX

Tel : 01489 779068, Fax : 01489 779069

E-mail : Sales@esscocontrols.co.uk